



Technical data

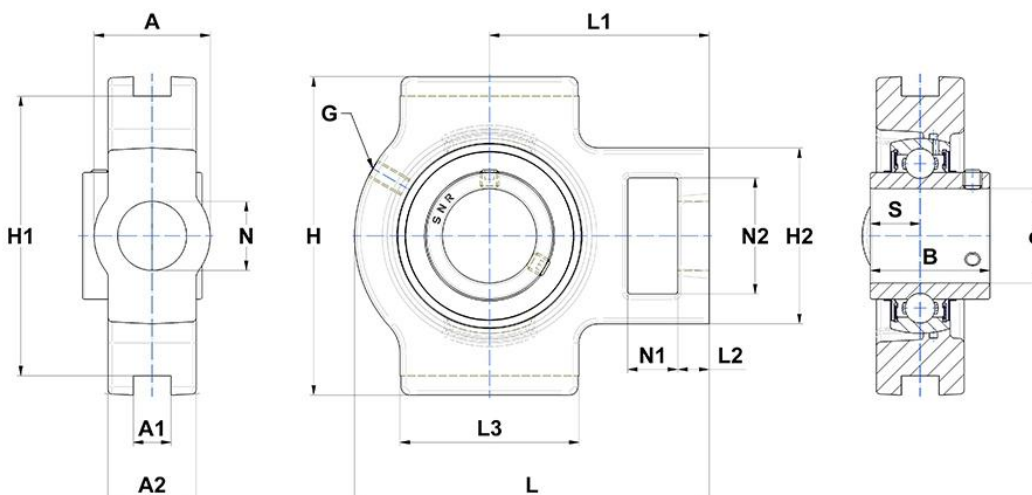
UCT215 Bearing units

Grey cast housing, radial insert ball bearing with socket set screws, seal with slinger

KIT CONTENT

UC215G2, T215

VISUAL (S)



PRODUCT DIMENSIONS

Brand	SNR
Housing width (A)	70 mm
Width of location slot (A1)	26 mm
Width over loc. slot flange(T/ST)/width at mount. hole	48 mm
Width of IR (B)	77,8 mm
Total height - frame + insert (A5)	44,5 mm
Shaft dia (d)	75 mm
Grease fitting (G)	M10x1

PRODUCT DIMENSIONS

Housing length, width or diameter (H)	167 mm
Distance between bottoms of location slots (H1)	151 mm
Housing height / width (H2)	111 mm
Housing length (L)	232 mm
Distance from attachment end face to bearing	140 mm
Thickness of attachment end (L2)	21 mm
Length of location slot (T/ST)/ guidance length (EHE) (L3)	121 mm
Mounting hole dimension (N)	41 mm
Length of attachment slot (N1)	32 mm
Height of attachment slot (N2)	70 mm
Dist. cent. of raceway to face IR on side opp. lock. device	33,3 mm
Wrench size (SW)	6 mm

PRODUCT PERFORMANCE

Dynamic load rating (C)	66 kN
Static load rating (C0)	49,5 kN
Operating temperature min.	-20 °C
Operating temperature max.	100 °C

OTHER FEATURES

Mass	7,21 kg
Recommended tightening torque for set screw [Nm]	33.0 N-m