



Technical data

UCT210

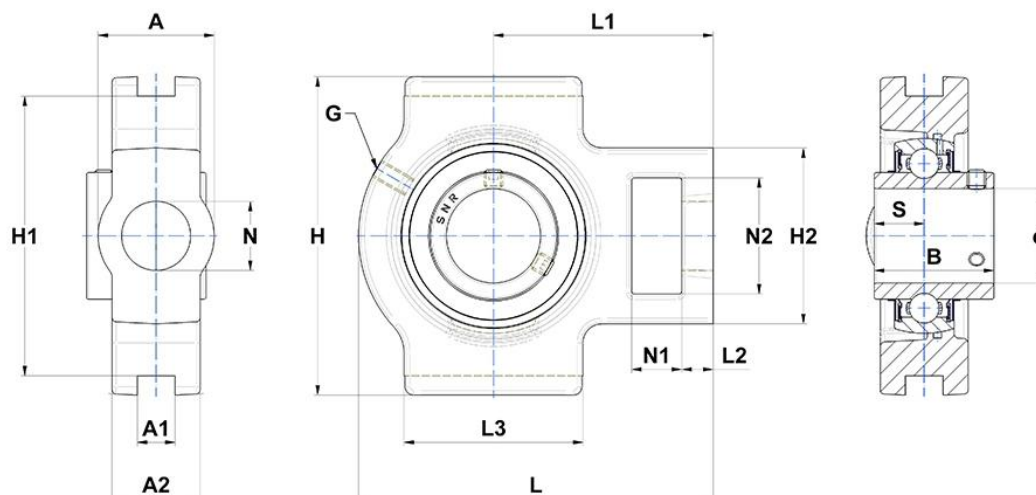
Bearing units

Grey cast housing, radial insert ball bearing with socket set screws, seal with slinger

KIT CONTENT

UC210G2, T210

VISUAL (S)



PRODUCT DIMENSIONS

Brand	SNR
Housing width (A)	49 mm
Width of location slot (A1)	16 mm
Width over loc. slot flange(T/ST)/width at mount. hole	37 mm
Width of IR (B)	51,6 mm
Total height - frame + insert (A5)	32,6 mm
Shaft dia (d)	50 mm
Grease fitting (G)	M6x1

PRODUCT DIMENSIONS

Housing length, width or diameter (H)	117 mm
Distance between bottoms of location slots (H1)	102 mm
Housing height / width (H2)	83 mm
Housing length (L)	149 mm
Distance from attachment end face to bearing	90 mm
Thickness of attachment end (L2)	16 mm
Length of location slot (T/ST)/ guidance length (EHE) (L3)	86 mm
Mounting hole dimension (N)	29 mm
Length of attachment slot (N1)	19 mm
Height of attachment slot (N2)	49 mm
Dist. cent. of raceway to face IR on side opp. lock. device	19 mm
Wrench size (SW)	5 mm

PRODUCT PERFORMANCE

Dynamic load rating (C)	35,1 kN
Static load rating (C0)	23,2 kN
Operating temperature min.	-20 °C
Operating temperature max.	100 °C

OTHER FEATURES

Mass	2,5 kg
Recommended tightening torque for set screw [Nm]	22.0 N-m