



Technical data

UCP216

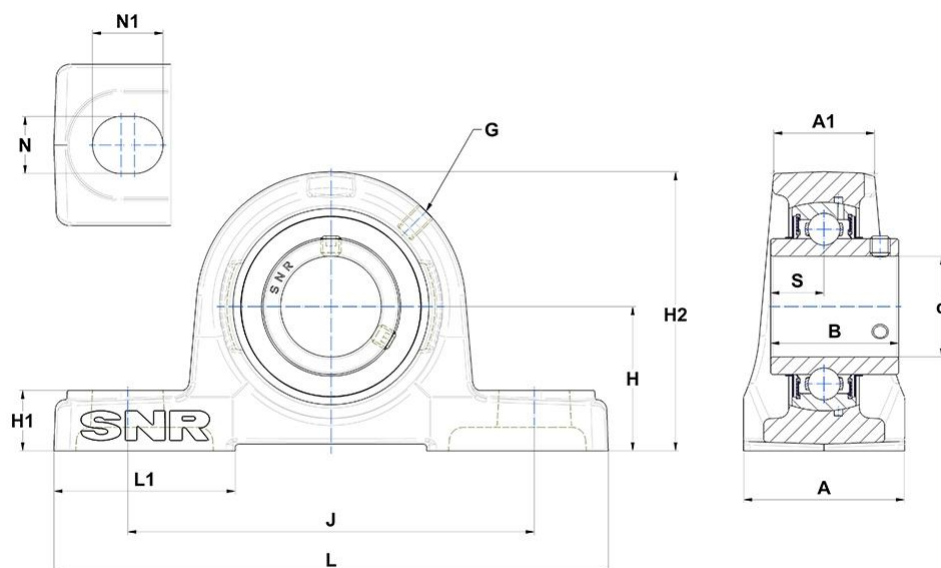
Bearing units

Grey cast housing, radial insert ball bearing with socket set screws, seal with slinger

KIT CONTENT

UC216G2, P216

VISUAL (S)



OTHER FEATURES

Mass	8,99 kg
Recommended tightening torque for set screw [Nm]	33.0 N-m

PRODUCT DIMENSIONS

Brand	SNR
Housing width (A)	78 mm
A1	51 mm
Width of IR (B)	82,6 mm
Shaft dia (d)	80 mm

PRODUCT DIMENSIONS

Grease fitting (G)	M10x1
H	88,9 mm
H1	30 mm
H2	175 mm
Mounting hole distance (J)	232 mm
Housing length (L)	292 mm
L1	91 mm
Mounting hole dimension (N)	25 mm
N1	31 mm
Dist. cent. of raceway to face IR on side opp. lock. device	33,3 mm

PRODUCT PERFORMANCE

Dynamic load rating (C)	72,5 kN
Static load rating (C0)	54,2 kN
Operating temperature min.	-20 °C
Operating temperature max.	100 °C