



## Technical data

### UCP215

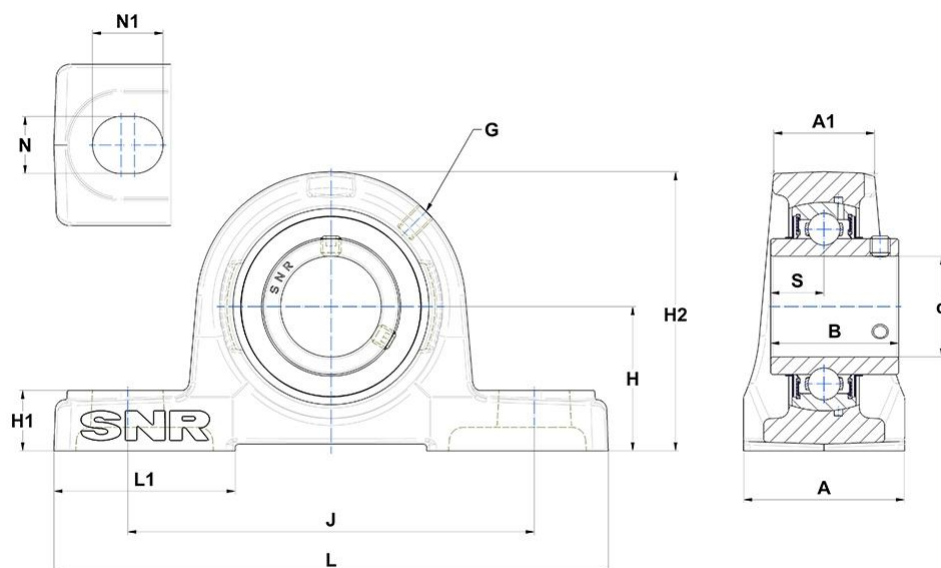
Bearing units

Grey cast housing, radial insert ball bearing with socket set screws, seal with slinger

#### KIT CONTENT

UC215G2, P215

#### VISUAL (S)



#### PRODUCT DIMENSIONS

Brand	SNR
Housing width (A)	74 mm
A1	48 mm
Width of IR (B)	77,8 mm
Shaft dia (d)	75 mm
Grease fitting (G)	M10x1
H	82,6 mm
H1	28 mm

### PRODUCT DIMENSIONS

<b>H2</b>	163 mm
<b>Mounting hole distance (J)</b>	217 mm
<b>Housing length (L)</b>	275 mm
<b>L1</b>	85 mm
<b>Mounting hole dimension (N)</b>	25 mm
<b>N1</b>	31 mm
<b>Dist. cent. of raceway to face IR on side opp. lock. device</b>	33,3 mm

### OTHER FEATURES

<b>Mass</b>	7,31 kg
<b>Recommended tightening torque for set screw [Nm]</b>	33.0 N-m

### PRODUCT PERFORMANCE

<b>Dynamic load rating (C)</b>	66 kN
<b>Static load rating (C0)</b>	49,5 kN
<b>Operating temperature min.</b>	-20 °C
<b>Operating temperature max.</b>	100 °C