



## Technical data

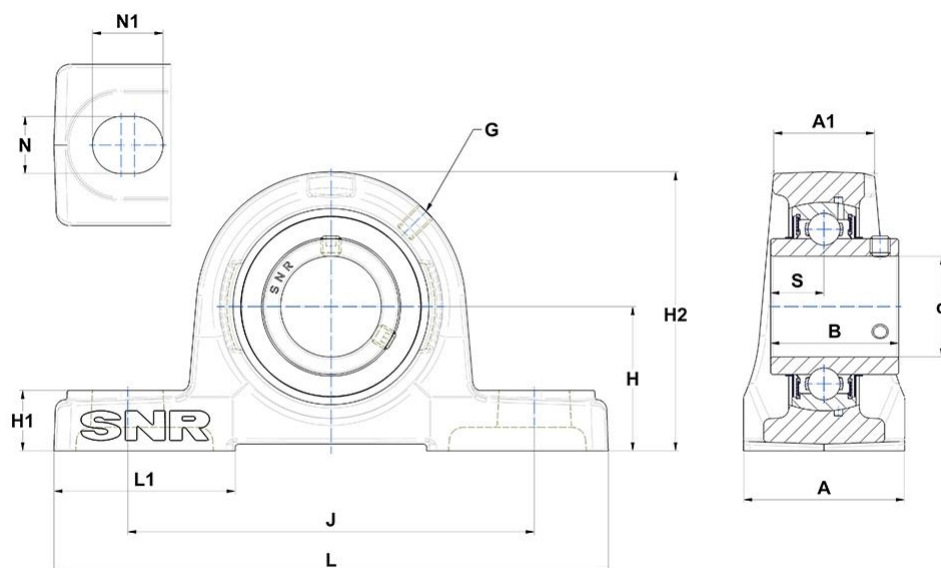
### UCP211 Bearing units

Grey cast housing, radial insert ball bearing with socket set screws, seal with slinger

#### KIT CONTENT

UC211G2, P211

#### VISUAL (S)



#### PRODUCT DIMENSIONS

Brand	SNR
Housing width (A)	60 mm
A1	40 mm
Width of IR (B)	55,6 mm
Shaft dia (d)	55 mm
Grease fitting (G)	M6x1
H	63,5 mm
H1	22 mm

### PRODUCT DIMENSIONS

<b>H2</b>	126 mm
<b>Mounting hole distance (J)</b>	171 mm
<b>Housing length (L)</b>	219 mm
<b>L1</b>	70 mm
<b>Mounting hole dimension (N)</b>	20 mm
<b>N1</b>	25 mm
<b>Dist. cent. of raceway to face IR on side opp. lock. device</b>	22,2 mm

### OTHER FEATURES

<b>Mass</b>	3,72 kg
<b>Recommended tightening torque for set screw [Nm]</b>	22.0 N-m

### PRODUCT PERFORMANCE

<b>Dynamic load rating (C)</b>	43,55 kN
<b>Static load rating (C0)</b>	29,2 kN
<b>Operating temperature min.</b>	-20 °C
<b>Operating temperature max.</b>	100 °C