



Technical data

UCP207

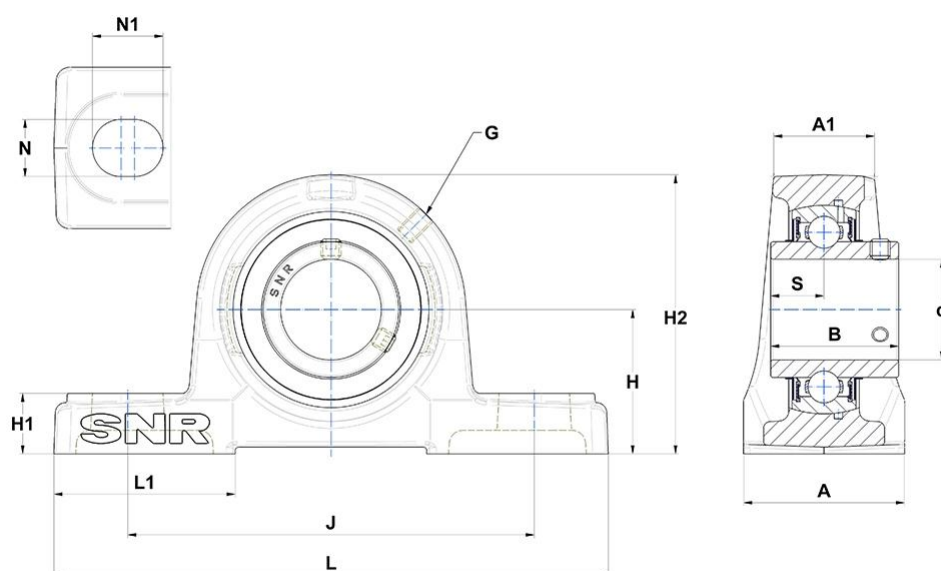
Bearing units

Grey cast housing, radial insert ball bearing with socket set screws, seal with slinger

KIT CONTENT

UC207G2, P207

VISUAL (S)



PRODUCT DIMENSIONS

Brand	SNR
Housing width (A)	48 mm
A1	31 mm
Width of IR (B)	42,9 mm
Shaft dia (d)	35 mm
Grease fitting (G)	M6x1
H	47,6 mm
H1	19 mm

PRODUCT DIMENSIONS

H2	94 mm
Mounting hole distance (J)	127 mm
Housing length (L)	167 mm
L1	54 mm
Mounting hole dimension (N)	17 mm
N1	21 mm
Dist. cent. of raceway to face IR on side opp. lock. device	17,5 mm

OTHER FEATURES

Mass	1,67 kg
Recommended tightening torque for set screw [Nm]	11.5 N-m

PRODUCT PERFORMANCE

Dynamic load rating (C)	25,7 kN
Static load rating (C0)	15,2 kN
Operating temperature min.	-20 °C
Operating temperature max.	100 °C