



Technical data

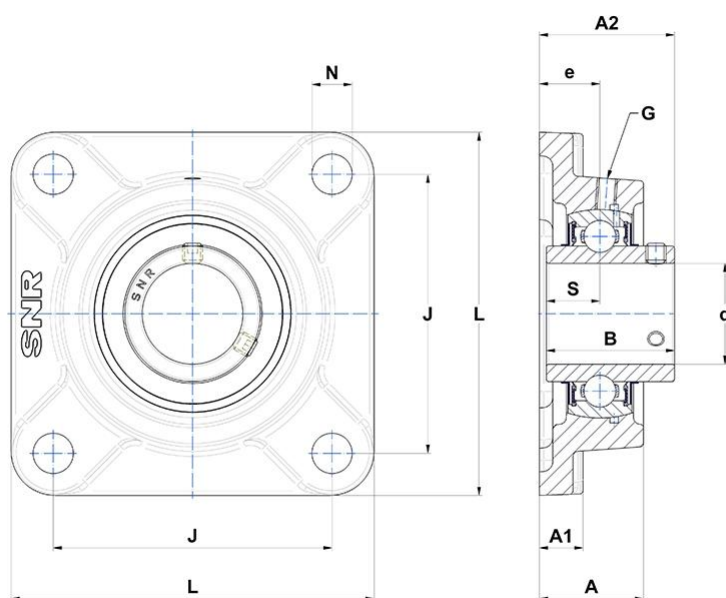
UCF215 Bearing units

Grey cast housing, radial insert ball bearing with socket set screws, seal with slinger

KIT CONTENT

UC215G2, F215

VISUAL (S)



PRODUCT DIMENSIONS

Brand	SNR
Width of IR (B)	77,8 mm
Housing height (A)	56 mm
Housing foot height / flange height (A1)	22 mm
Total height (Housing + Insert) from mounting surface	78,5 mm
Shaft dia (d)	75 mm
Distance mounting surface - bearing center (e)	34 mm
Grease fitting (G)	M10x1

PRODUCT DIMENSIONS

Mounting hole distance (J)	159 mm
Housing width / dia (L)	200 mm
Mounting hole dimension (N)	19 mm
Dist. cent. of raceway to face IR on side opp. lock. device	33,3 mm

OTHER FEATURES

Mass	5,74 kg
Recommended tightening torque for set screw [Nm]	33.0 N-m

PRODUCT PERFORMANCE

Dynamic load rating (C)	66 kN
Static load rating (C0)	49,5 kN
Operating temperature min.	-20 °C
Operating temperature max.	100 °C