



## Technical data

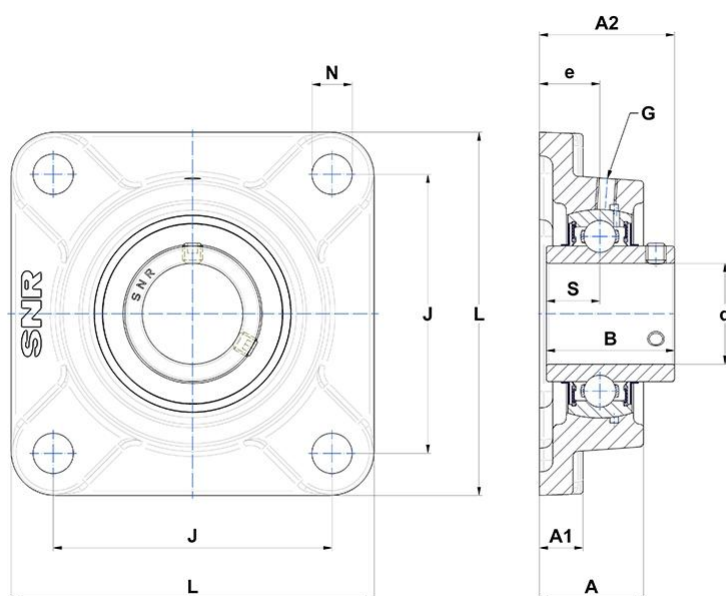
### UCF212 Bearing units

Grey cast housing, radial insert ball bearing with socket set screws, seal with slinger

#### KIT CONTENT

UC212G2, F212

#### VISUAL (S)



#### PRODUCT DIMENSIONS

<b>Brand</b>	SNR
<b>Width of IR (B)</b>	65,1 mm
<b>Housing height (A)</b>	48 mm
<b>Housing foot height / flange height (A1)</b>	18 mm
<b>Total height (Housing + Insert) from mounting surface</b>	68,7 mm
<b>Shaft dia (d)</b>	60 mm
<b>Distance mounting surface - bearing center (e)</b>	29 mm
<b>Grease fitting (G)</b>	M6x1

### PRODUCT DIMENSIONS

<b>Mounting hole distance (J)</b>	143 mm
<b>Housing width / dia (L)</b>	175 mm
<b>Mounting hole dimension (N)</b>	19 mm
<b>Dist. cent. of raceway to face IR on side opp. lock. device</b>	25,4 mm

### OTHER FEATURES

<b>Mass</b>	4,36 kg
<b>Recommended tightening torque for set screw [Nm]</b>	22.0 N-m

### PRODUCT PERFORMANCE

<b>Dynamic load rating (C)</b>	52,5 kN
<b>Static load rating (C0)</b>	32,8 kN
<b>Operating temperature min.</b>	-20 °C
<b>Operating temperature max.</b>	100 °C