



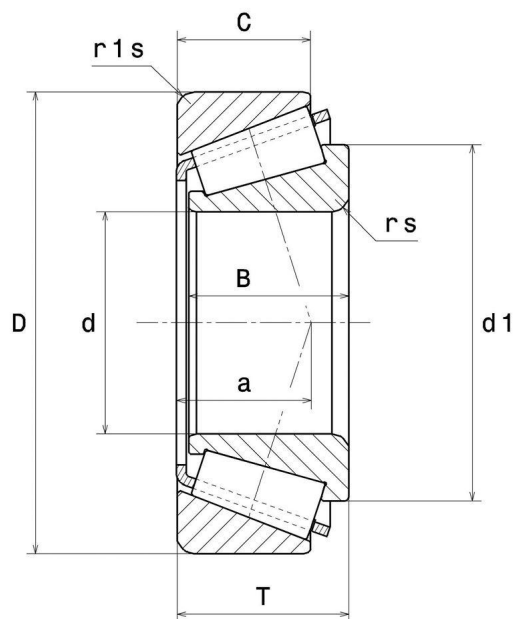
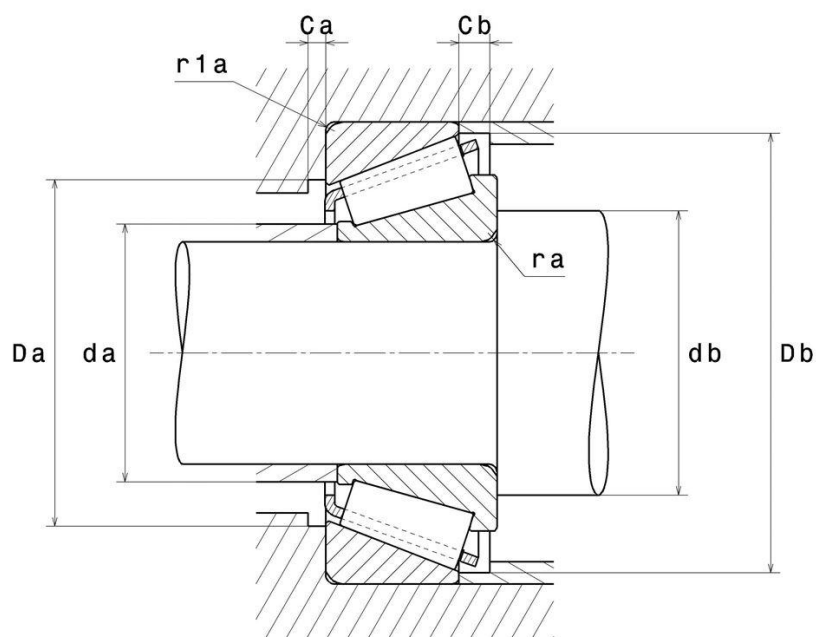
Technical data

30213A

Single row tapered roller bearings

Tapered roller bearing, pressed steel cage

VISUAL (S)



30213A

Single row tapered roller bearings

PRODUCT DIMENSIONS

Internal diameter d	65 mm
External diameter D	120 mm
Bearing/Inner ring width(B)	23 mm
Outer ring width (C)	20 mm
Total width (T)	24,75 mm
External diameter inner ring d1	90 mm
Charge load application point a	23,8 mm
Min fillet radius rs	2 mm
Min fillet radius r1s	1,5 mm
Coef e	0.4
Upper axial load coef (Y2)	1.48
Static axial load coef (Y0)	0.81
Mass	1,123 kg
ISO 355 reference	T3EB065
Brand	SNR

PRODUCT PERFORMANCE

Dynamic load, C	127 kN
Rating life coefficient, A2	1.0
Static load, C0	154 kN
Fatigue limit load, Cu	18,8 kN
Reference thermal speed (Nref)	3800 tr/min
Mechanical Limit Speed Nlim	6100 tr/min
Min operating temperature, Tmin	-40 °C
Max operating temperature, Tmax	120 °C
Characteristic cage frequency, FTF	0.426 Hz
Characteristic rolling element frequency, BSF	6.348 Hz
Characteristic outer ring frequency, BPF0	8.087 Hz
Characteristic inner ring frequency, BPF1	10.913 Hz

ABUTMENT

Max shoulder diameter IR da max	77 mm
Min IR shoulder diameter (db min)	75 mm

30213A

Single row tapered roller bearings

ABUTMENT	
Min shoulder diameter OR Da min	106 mm
Max shoulder diameter OR Da max	111,5 mm
Min OR shoulder diameter Db min	113 mm
Min clearance Ca	4 mm
Min clearance Cb	4,5 mm
Max fillet radius ra max	2 mm
Maxi fillet radius r1a	1,5 mm