



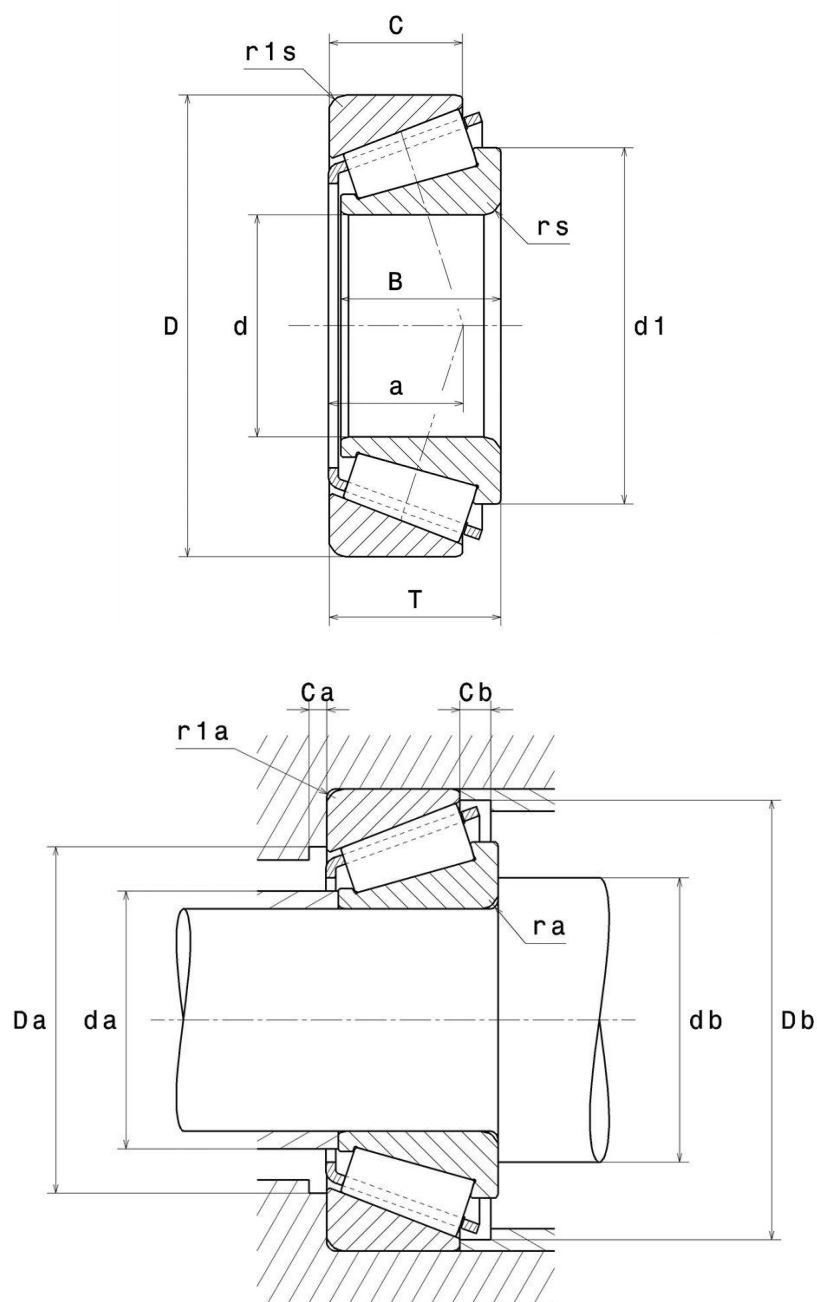
**Technical data**

30211.A

Single row tapered roller bearings

Tapered roller bearing, pressed steel cage

**VISUAL (S)**



# 30211.A

## Single row tapered roller bearings

### PRODUCT DIMENSIONS

Internal diameter d	55 mm
External diameter D	100 mm
Bearing/Inner ring width(B)	21 mm
Outer ring width (C )	18 mm
Total width (T)	22,75 mm
External diameter inner ring d1	75,2 mm
Charge load application point a	21,1 mm
Min fillet radius rs	2 mm
Min fillet radius r1s	1,5 mm
Coef e	0.4
Upper axial load coef (Y2)	1.48
Static axial load coef (Y0)	0.81
Mass	0,712 kg
ISO 355 reference	T3DB055
Brand	SNR

### PRODUCT PERFORMANCE

Dynamic load, C	95,1 kN
Rating life coefficient, A2	1.0
Static load, C0	114 kN
Fatigue limit load, Cu	13,9 kN
Reference thermal speed (Nref)	4500 tr/min
Mechanical Limit Speed Nlim	7300 tr/min
Min operating temperature, Tmin	-40 °C
Max operating temperature, Tmax	120 °C
Characteristic cage frequency, FTF	0.426 Hz
Characteristic rolling element frequency, BSF	6.361 Hz
Characteristic outer ring frequency, BPF0	8.09 Hz
Characteristic inner ring frequency, BPF1	10.91 Hz

### ABUTMENT

Max shoulder diameter IR da max	64 mm
Min IR shoulder diameter (db min)	65 mm

# 30211.A

Single row tapered roller bearings

ABUTMENT	
<b>Min shoulder diameter OR Da min</b>	88 mm
<b>Max shoulder diameter OR Da max</b>	91,5 mm
<b>Min OR shoulder diameter Db min</b>	94 mm
<b>Min clearance Ca</b>	4 mm
<b>Min clearance Cb</b>	4,5 mm
<b>Max fillet radius ra max</b>	2 mm
<b>Maxi fillet radius r1a</b>	1,5 mm