



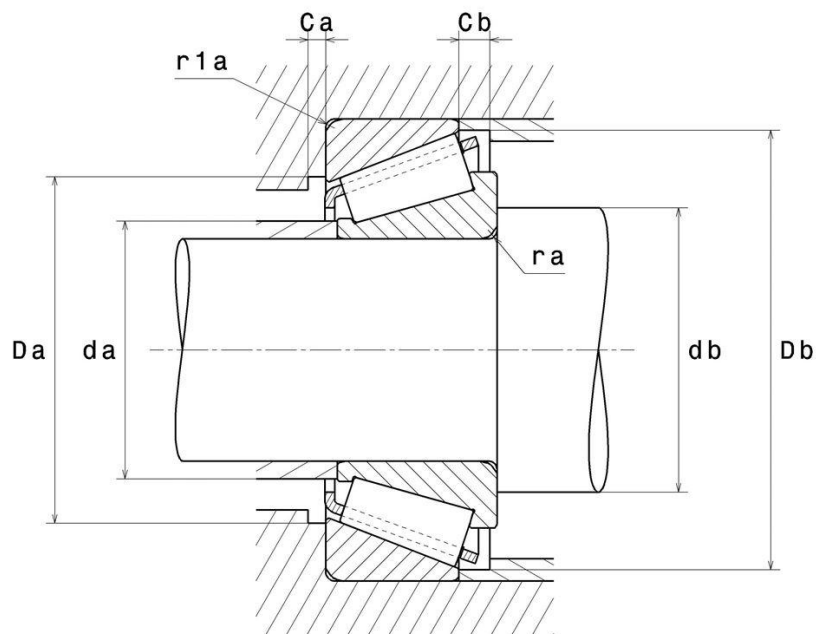
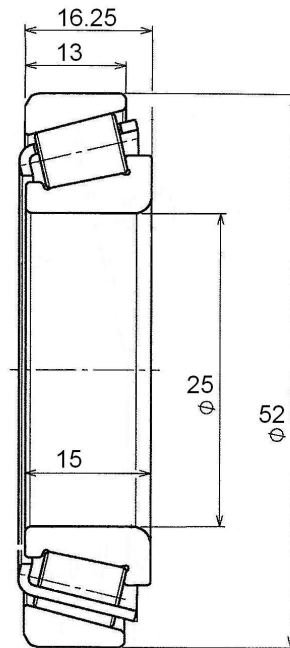
Technical data

30205A

Single row tapered roller bearings

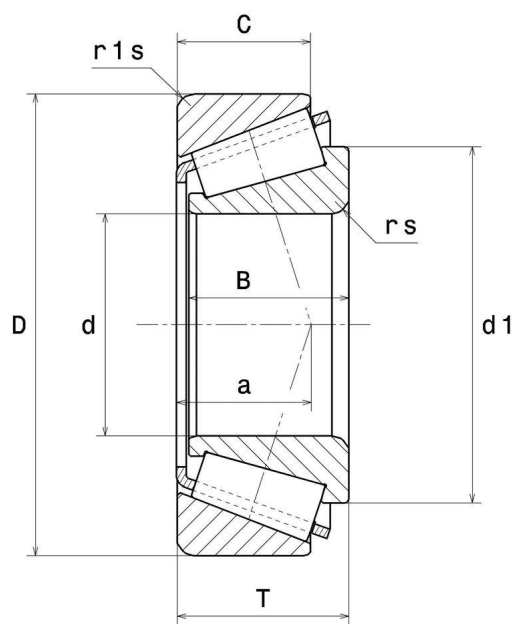
Tapered roller bearing, pressed steel cage

VISUAL (S)



30205A

Single row tapered roller bearings



PRODUCT DIMENSIONS

Internal diameter d	25 mm
External diameter D	52 mm
Bearing/Inner ring width(B)	15 mm
Outer ring width (C)	13 mm
Total width (T)	16,25 mm
External diameter inner ring d1	37,9 mm
Charge load application point a	12,7 mm
Min fillet radius rs	1 mm
Min fillet radius r1s	1 mm
Coef e	0.37
Upper axial load coef (Y2)	1.6
Static axial load coef (Y0)	0.88
Mass	0,153 kg
ISO 355 reference	T3CC025
Brand	SNR

PRODUCT PERFORMANCE

Dynamic load, C	33,8 kN
Rating life coefficient, A2	1.0

30205A

Single row tapered roller bearings

PRODUCT PERFORMANCE

Static load, C0	37 kN
Fatigue limit load, Cu	4,5 kN
Reference thermal speed (Nref)	8900 tr/min
Mechanical Limit Speed Nlim	15000 tr/min
Min operating temperature, Tmin	-40 °C
Max operating temperature, Tmax	120 °C
Characteristic cage frequency, FTF	0.419 Hz
Characteristic rolling element frequency, BSF	5.824 Hz
Characteristic outer ring frequency, BPF0	6.702 Hz
Characteristic inner ring frequency, BPFI	9.298 Hz

ABUTMENT

Max shoulder diameter IR da max	31 mm
Min IR shoulder diameter (db min)	30,5 mm
Min shoulder diameter OR Da min	44 mm
Max shoulder diameter OR Da max	46,5 mm
Min OR shoulder diameter Db min	48 mm
Min clearance Ca	2 mm
Min clearance Cb	3 mm
Max fillet radius ra max	1 mm
Maxi fillet radius r1a	1 mm

OE EQUIVALENTS

Manufacturer	Part number
DAEWOO	96316635
MAZDA	UH71-33-075 S083-33-075
FORD	4488728
CHEVROLET	96316635

AUTOMOTIVE COMPATIBILITY

Brand	Model	Generation	Date	Location	Position
-------	-------	------------	------	----------	----------

AUTOMOTIVE COMPATIBILITY					
Brand	Model	Generation	Date	Location	Position
CHEVROLET	Matiz	Matiz (M200)	01/2005 => 02/2011		
CHEVROLET	Matiz	Matiz (M200)	01/2005 => 02/2011	REAR	Left / Right
CHEVROLET	Spark	Spark (M200)	05/2005 => 12/2009		
CHEVROLET	Spark	Spark (M200)	05/2005 => 12/2009	REAR	Left / Right
DAEWOO	Matiz	Matiz (M100)	03/1998 => 09/2000		
DAEWOO	Matiz	Matiz (M100)	03/1998 => 09/2000	REAR	Left / Right
DAEWOO	Matiz	Matiz FL (M100)	10/2000 => 01/2005	REAR	Left / Right
DAEWOO	Matiz	Matiz FL (M100)	10/2000 => 01/2005		
FORD	Ranger	Ranger II(EQ)	01/2002 => 09/2006		
FORD	Ranger	Ranger II(EQ)	01/2002 => 09/2006	FRONT	Left / Right
FORD	Ranger	Ranger III(ET)	10/2005 => 12/2010		
FORD	Ranger	Ranger III(ET)	10/2005 => 12/2010	FRONT	Left / Right
MAZDA	B	B Pick-up	11/1989 => 12/2007		
MAZDA	B	B Pick-up	11/1989 => 12/2007	FRONT	Left / Right
MAZDA	E	E serie	12/1987 => 04/2002	FRONT	Left / Right
MAZDA	E	E serie	12/1987 => 04/2002		
MAZDA	Mazda BT50	Mazda BT50	08/2006 => 12/2012		
MAZDA	Mazda BT50	Mazda BT50	08/2006 => 12/2012	FRONT	Left / Right