



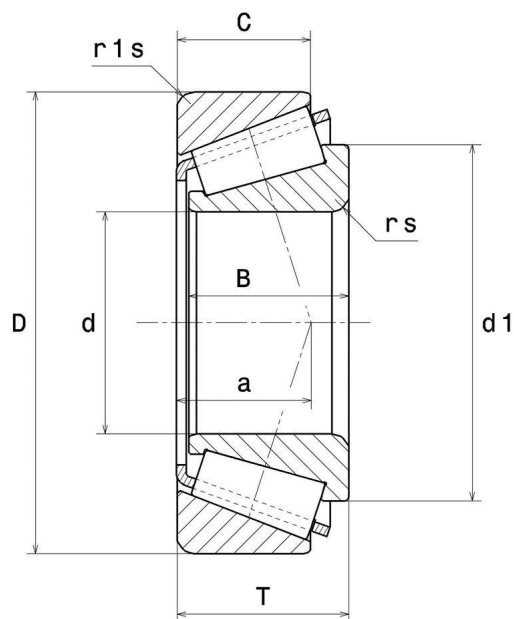
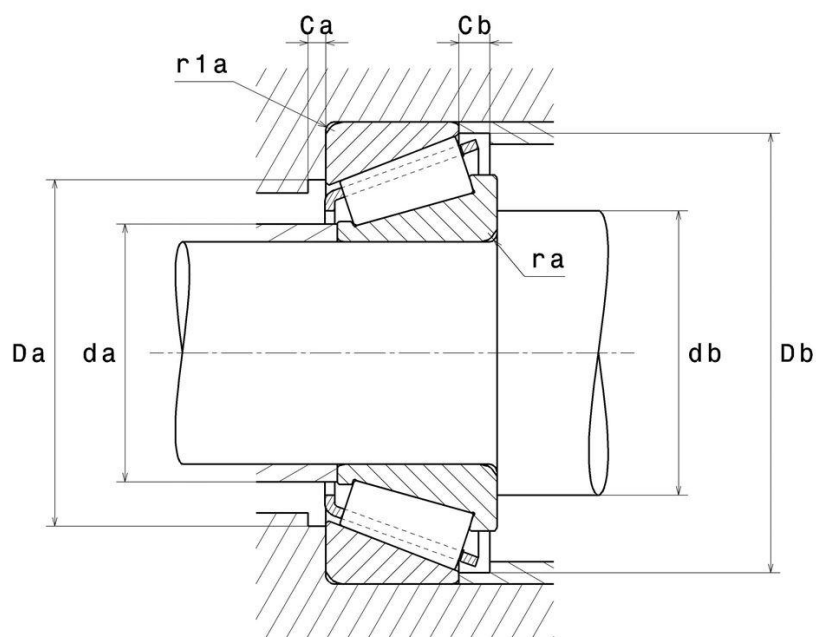
## Technical data

30204A

Single row tapered roller bearings

Tapered roller bearing, pressed steel cage

### VISUAL (S)



# 30204A

## Single row tapered roller bearings

### PRODUCT DIMENSIONS

Internal diameter d	20 mm
External diameter D	47 mm
Bearing/Inner ring width(B)	14 mm
Outer ring width (C )	12 mm
Total width (T)	15,25 mm
External diameter inner ring d1	33,9 mm
Charge load application point a	11,3 mm
Min fillet radius rs	1 mm
Min fillet radius r1s	1 mm
Coef e	0.35
Upper axial load coef (Y2)	1.74
Static axial load coef (Y0)	0.96
Mass	0,126 kg
ISO 355 reference	T2DB020
Brand	SNR

### PRODUCT PERFORMANCE

Dynamic load, C	29,6 kN
Rating life coefficient, A2	1.0
Static load, C0	30,6 kN
Fatigue limit load, Cu	3,75 kN
Reference thermal speed (Nref)	10000 tr/min
Mechanical Limit Speed Nlim	17000 tr/min
Min operating temperature, Tmin	-40 °C
Max operating temperature, Tmax	120 °C
Characteristic cage frequency, FTF	0.411 Hz
Characteristic rolling element frequency, BSF	5.274 Hz
Characteristic outer ring frequency, BPF0	6.158 Hz
Characteristic inner ring frequency, BPF1	8.842 Hz

### ABUTMENT

Max shoulder diameter IR da max	27 mm
Min IR shoulder diameter (db min)	25,5 mm

# 30204A

## Single row tapered roller bearings

ABUTMENT	
<b>Min shoulder diameter OR Da min</b>	40 mm
<b>Max shoulder diameter OR Da max</b>	41,5 mm
<b>Min OR shoulder diameter Db min</b>	44 mm
<b>Min clearance Ca</b>	2 mm
<b>Min clearance Cb</b>	3 mm
<b>Max fillet radius ra max</b>	1 mm
<b>Maxi fillet radius r1a</b>	1 mm