



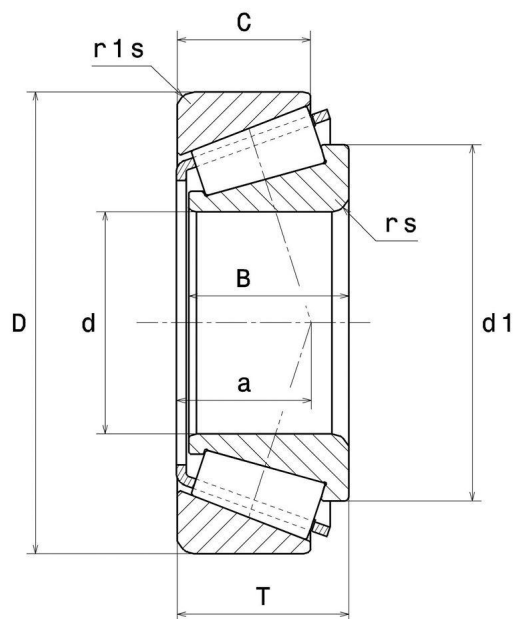
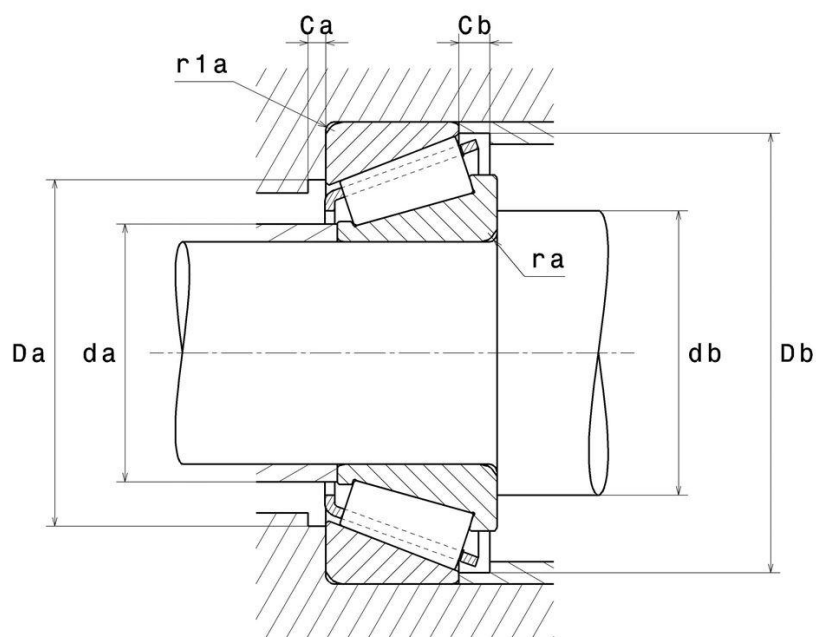
## Technical data

30203.A

Single row tapered roller bearings

Tapered roller bearing, pressed steel cage

### VISUAL (S)



# 30203.A

## Single row tapered roller bearings

### PRODUCT DIMENSIONS

Internal diameter d	17 mm
External diameter D	40 mm
Bearing/Inner ring width(B)	12 mm
Outer ring width (C )	11 mm
Total width (T)	13,25 mm
External diameter inner ring d1	28,5 mm
Charge load application point a	9,9 mm
Min fillet radius rs	1 mm
Min fillet radius r1s	1 mm
Coef e	0.35
Upper axial load coef (Y2)	1.74
Static axial load coef (Y0)	0.96
Mass	0,08 kg
ISO 355 reference	T2DB017
Brand	SNR

### PRODUCT PERFORMANCE

Dynamic load, C	21,9 kN
Rating life coefficient, A2	1.0
Static load, C0	22,2 kN
Fatigue limit load, Cu	2,7 kN
Reference thermal speed (Nref)	12000 tr/min
Mechanical Limit Speed Nlim	20000 tr/min
Min operating temperature, Tmin	-40 °C
Max operating temperature, Tmax	120 °C
Characteristic cage frequency, FTF	0.41 Hz
Characteristic rolling element frequency, BSF	5.259 Hz
Characteristic outer ring frequency, BPF0	6.155 Hz
Characteristic inner ring frequency, BPF1	8.845 Hz

### ABUTMENT

Max shoulder diameter IR da max	23 mm
Min IR shoulder diameter (db min)	22,5 mm

## ABUTMENT

<b>Min shoulder diameter OR Da min</b>	33 mm
<b>Max shoulder diameter OR Da max</b>	34,5 mm
<b>Min OR shoulder diameter Db min</b>	37 mm
<b>Min clearance Ca</b>	2 mm
<b>Min clearance Cb</b>	2 mm
<b>Max fillet radius ra max</b>	1 mm
<b>Maxi fillet radius r1a</b>	1 mm

## OE EQUIVALENTS

<b>Manufacturer</b>	<b>Part number</b>
<b>RENAULT</b>	7703090182

## AUTOMOTIVE COMPATIBILITY

<b>Brand</b>	<b>Model</b>	<b>Generation</b>	<b>Date</b>	<b>Location</b>	<b>Position</b>
<b>RENAULT</b>	Estafette	Estafette	09/1968 => 12/1980	input/primary shaft	Opposite engine side
<b>RENAULT</b>	Fuego	Fuego	09/1979 => 12/1981	input/primary shaft	Engine side
<b>RENAULT</b>	R12	R12	09/1969 => 12/1980	input/primary shaft	Engine side
<b>RENAULT</b>	R15	R15	09/1971 => 10/1980	input/primary shaft	Engine side
<b>RENAULT</b>	R16	R16	09/1970 => 12/1979	input/primary shaft	Engine side
<b>RENAULT</b>	R17	R17	07/1971 => 12/1978	input/primary shaft	Engine side
<b>RENAULT</b>	R18	R18	04/1978 => 12/1981	input/primary shaft	Engine side
<b>RENAULT</b>	R20	R20	12/1975 => 12/1981	input/primary shaft	Engine side
<b>RENAULT</b>	R4	R4	09/1962 => 06/1986		
<b>RENAULT</b>	R4	R4	09/1962 => 06/1986	REAR	Left / Right
<b>RENAULT</b>	R4	R4	09/1962 => 12/1992	input/primary shaft	Engine side
<b>RENAULT</b>	R5	R5	01/1972 => 06/1984		

# 30203.A

## Single row tapered roller bearings

AUTOMOTIVE COMPATIBILITY					
Brand	Model	Generation	Date	Location	Position
RENAULT	R5	R5	01/1972 => 06/1984	REAR	Left / Right
RENAULT	R5	R5	01/1972 => 06/1985	input/primary shaft	Engine side
RENAULT	R6	R6	10/1968 => 04/1980		
RENAULT	R6	R6	10/1968 => 04/1980	REAR	Left / Right
RENAULT	R6	R6	10/1968 => 12/1980	input/primary shaft	Engine side
RENAULT	Rodeo	Rodeo	12/1969 => 12/1982	input/primary shaft	Engine side