

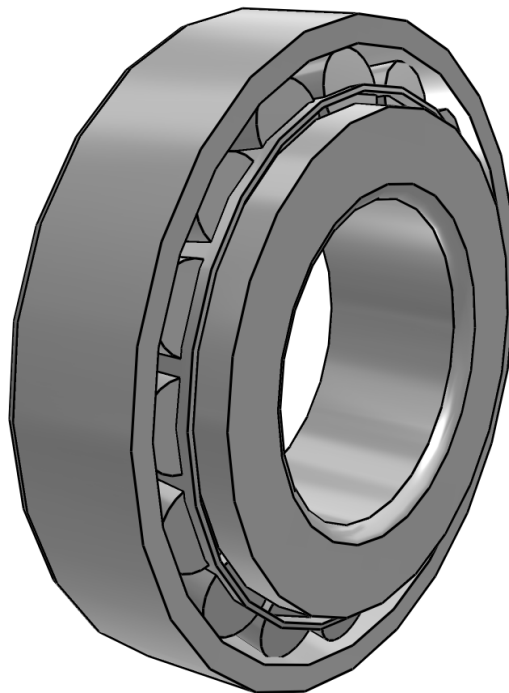


30206JR

Koyo

3D View

To activate the interactive 3D view, you must trust this document (see hint on the top) in Adobe Acrobat and click on the question mark.



Zoom

Moves you toward or away from objects in the scene when you drag vertically. You can also zoom with the hand tool by holding down Shift as you drag.



Pan

Moves the model vertically and horizontally only. You can also pan with the hand tool: Ctrl-drag.



Rotate

Turns 3D objects around relative to the screen. How the objects move depends on the starting view, where you start dragging and the direction in which you drag.

3D PDF DATASHEET



eCATALOGsolutions



BIM catalogs.net



PARTsolutions



Create Your Individual 3D PDF Datasheet



Learn How to Create Your Mechanical Product Catalog



Learn How to Create Your BIM Product Catalog



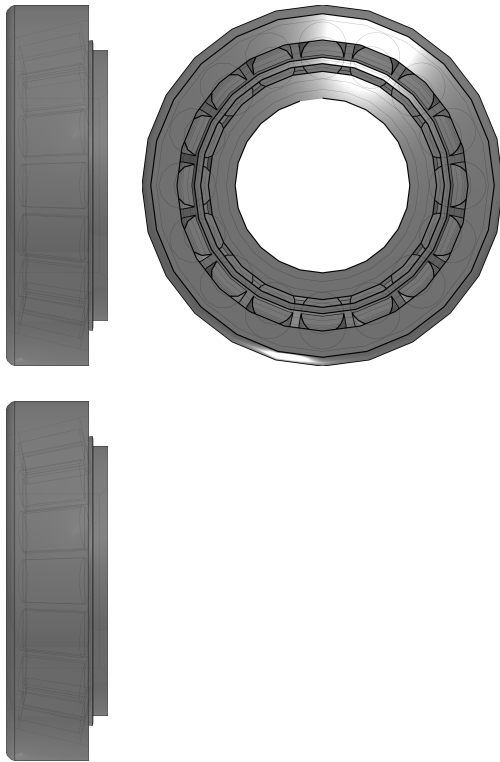
Reduce Your Costs in Engineering and Purchasing



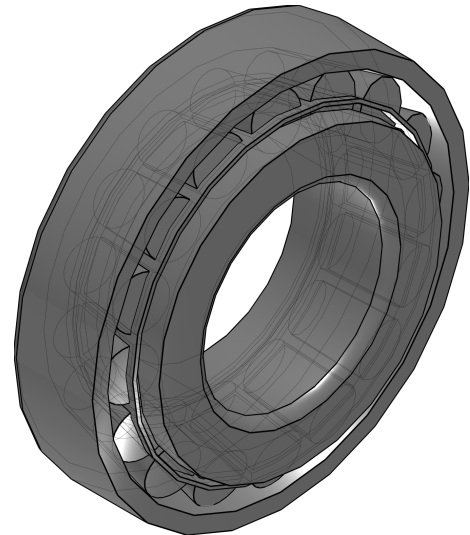
30206JR

Koyo

2D derivation



ISO View





Create Your Individual 3D PDF Datasheet

Learn How to Create Your Mechanical Product Catalog

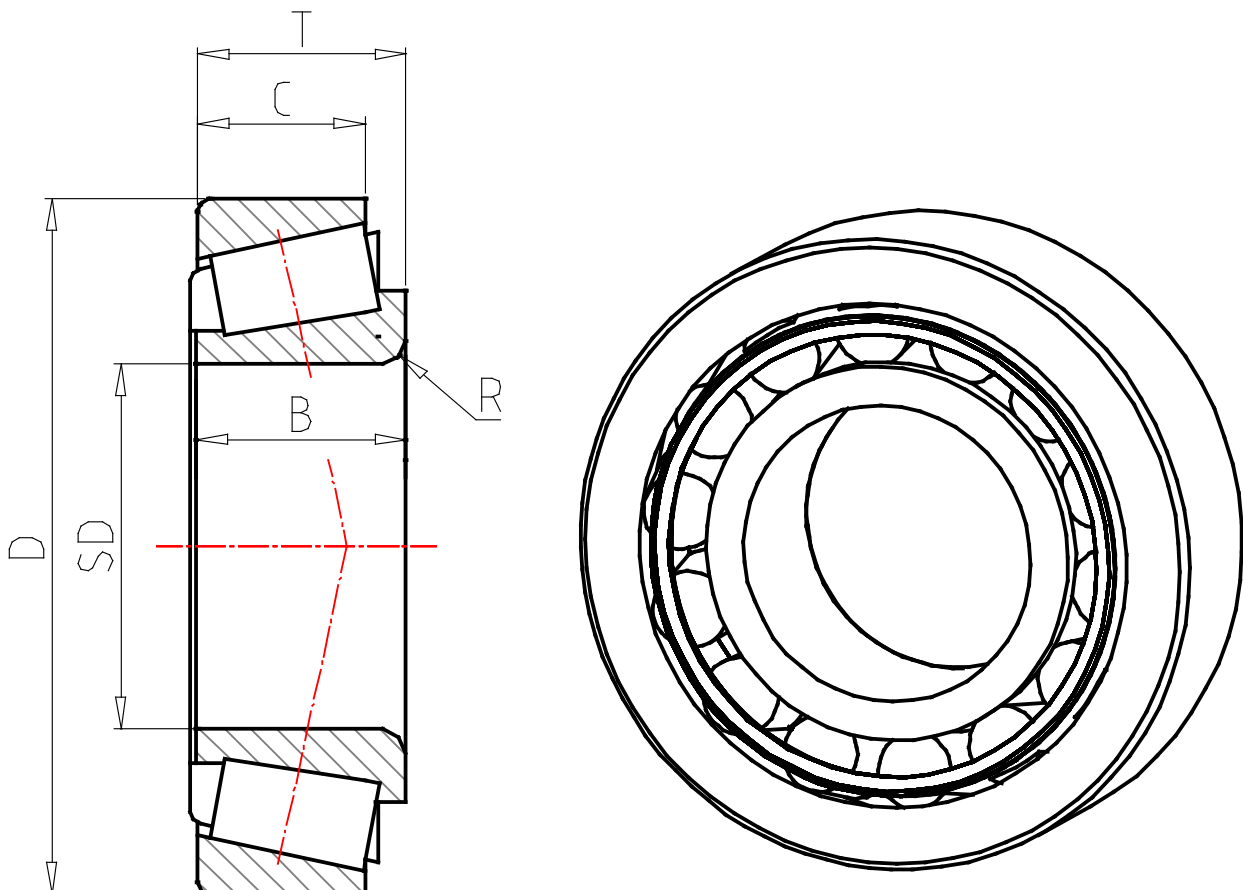
Learn How to Create Your BIM Product Catalog

Reduce Your Costs in Engineering and Purchasing

30206JR

Koyo

Technical drawings



3D PDF DATASHEET



 eCATALOG solutions




 BIM catalogs.net




 PART solutions



Create Your Individual 3D PDF Datasheet 

Learn How to Create Your Mechanical Product Catalog 

Learn How to Create Your BIM Product Catalog 

Reduce Your Costs in Engineering and Purchasing 

30206JR

Koyo

Technical Data

ORDER (Bearing No)	30206JR
SD (Inside Diameter / mm)	30
D (Outside Diameter / mm)	62
T (Bearing Width / mm)	17.25
B (width / mm)	16
C (width / mm)	14
R (Radius / mm)	1
CR (Basic dynamic load rating / kN)	51.8
COR (Basic static load rating / kN)	44.8
CU (Fatigue limit load / kN)	6.45
NG (Limiting speeds (Grease) / rpm)	6500
NO (Limiting speeds (Oil) / rpm)	8700

3D PDF DATASHEET



 eCATALOG solutions




 BIM catalogs.net





 PART solutions



Create Your Individual 3D PDF Datasheet 

Learn How to Create Your Mechanical Product Catalog 

Learn How to Create Your BIM Product Catalog 

Reduce Your Costs in Engineering and Purchasing 

30206JR

Koyo

Bill of Materials

N°	Description	Amount
1	30206JR	1
1.1	30206JR Inner ring	1
1.2	30206JR Roller	1
1.3	30206JR Outer ring	1