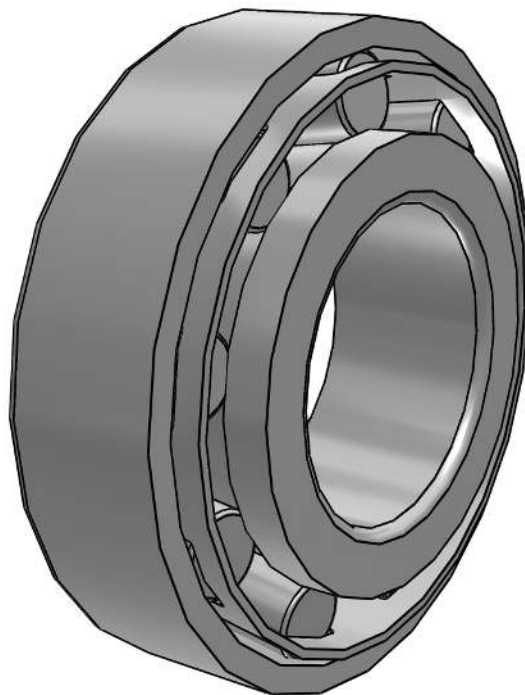


H-E30205J

### 3D View

To activate the interactive 3D view, you must trust this document (see hint on the top) in Adobe Acrobat and click on the question mark.



 Zoom

Moves you toward or away from objects in the scene when you drag vertically. You can also zoom with the hand tool by holding down Shift as you drag.

 Pan

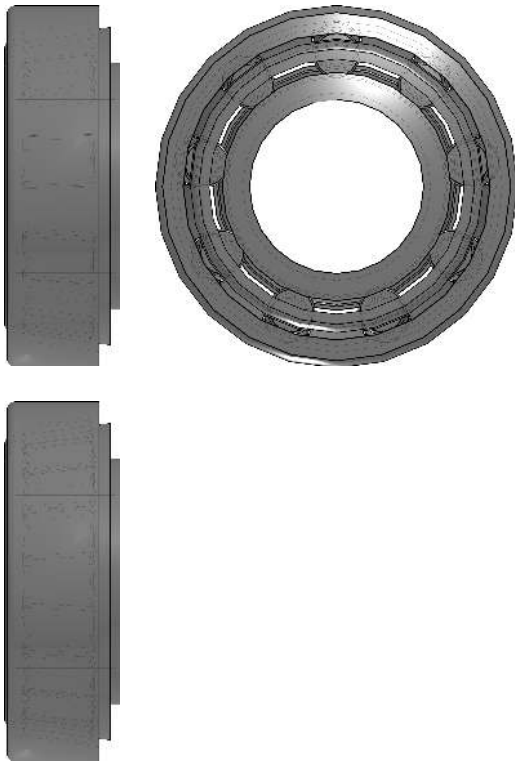
Moves the model vertically and horizontally only. You can also pan with the hand tool: Ctrl-drag.

 Rotate

Turns 3D objects around relative to the screen. How the objects move depends on the starting view, where you start dragging and the direction in which you drag.

H-E30205J

2D derivation

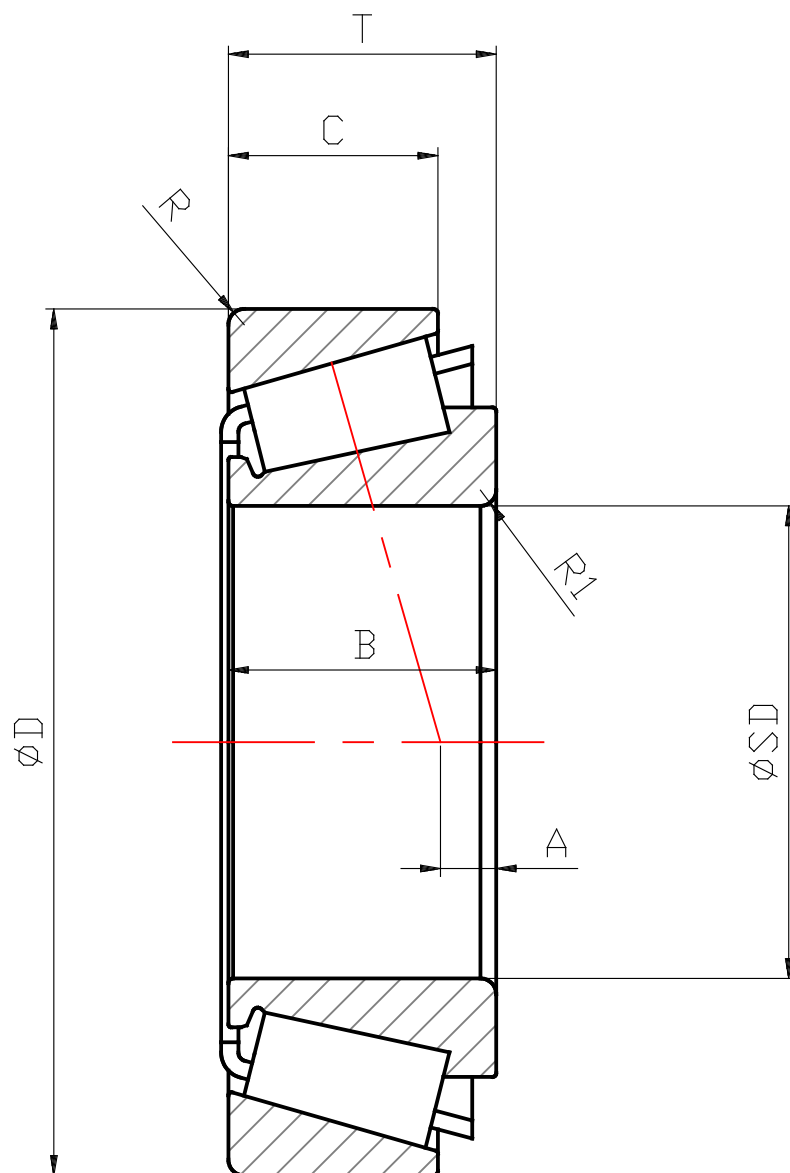


ISO View



H-E30205J

Technical drawings





## H-E30205J

### Technical Data

BN (Bearing No.)	H-E30205J
SD (Inner dia. / mm)	25
D (Outer dia. / mm)	52
T (Width / mm)	16.25
B (Width / mm)	15
C (Width / mm)	13
R (Chamfer (min.) / mm)	1
R1 (Chamfer (min.) / mm)	1
REF (ISO355)	3CC
CR (Basic dynamic load rating / N)	31500
COR (Basic static load rating / N)	33700
LSO (Permissible rotating speed (Oil) / min-1)	10000
A (Load / mm)	3.3
MASS (Mass / kg)	0.156