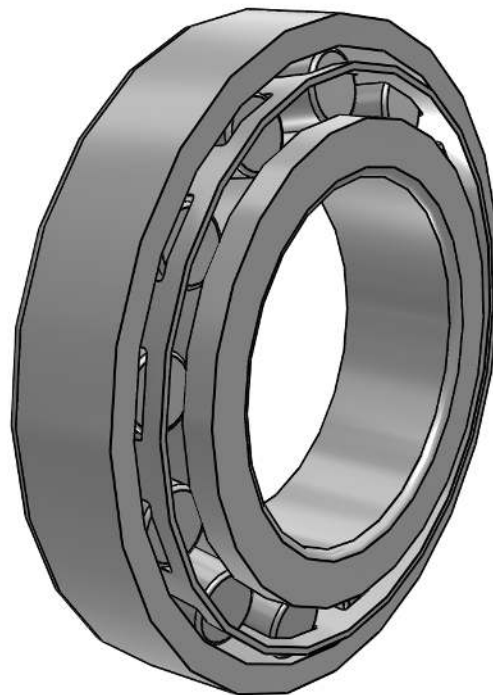


E30211J

### 3D View

To activate the interactive 3D view, you must trust this document (see hint on the top) in Adobe Acrobat and click on the question mark.



 Zoom

Moves you toward or away from objects in the scene when you drag vertically. You can also zoom with the hand tool by holding down Shift as you drag.

 Pan

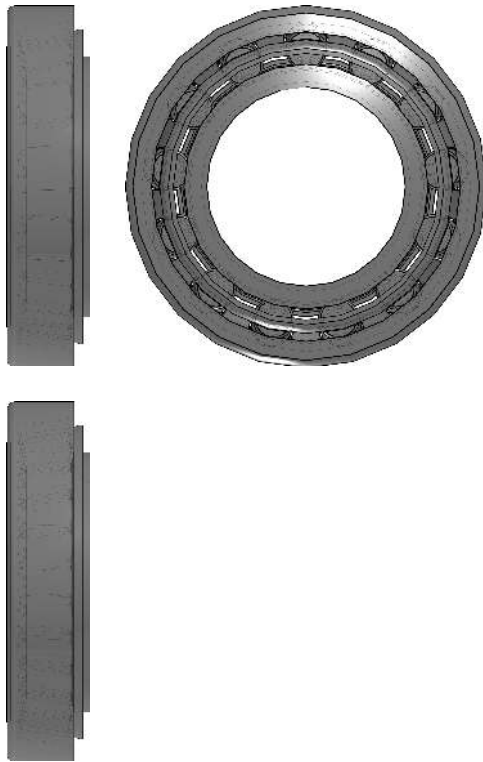
Moves the model vertically and horizontally only. You can also pan with the hand tool: Ctrl-drag.

 Rotate

Turns 3D objects around relative to the screen. How the objects move depends on the starting view, where you start dragging and the direction in which you drag.

E30211J

2D derivation

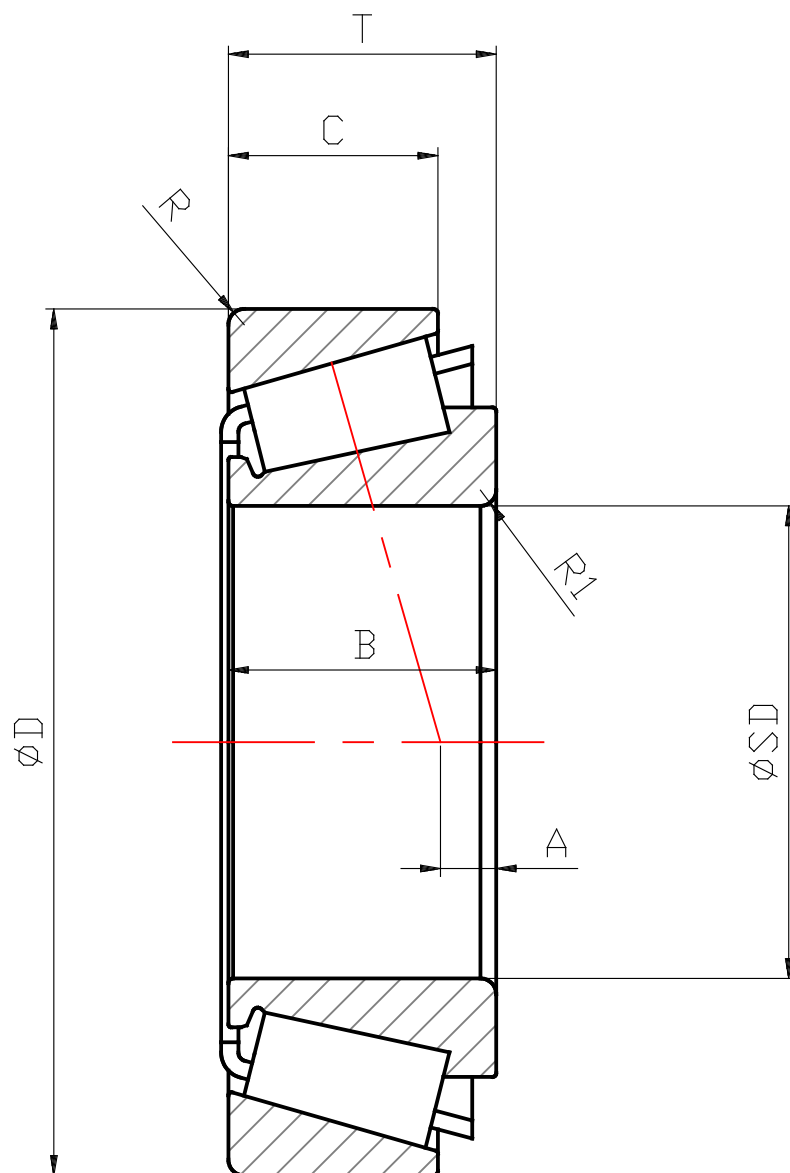


ISO View



E30211J

Technical drawings





E30211J

## Technical Data

BN (Bearing No.)	E30211J
SD (Inner dia. / mm)	55
D (Outer dia. / mm)	100
T (Width / mm)	22.75
B (Width / mm)	21
C (Width / mm)	18
R (Chamfer (min.) / mm)	2
R1 (Chamfer (min.) / mm)	1.5
REF (ISO355)	3DB
CR (Basic dynamic load rating / N)	94600
COR (Basic static load rating / N)	113000
LSO (Permissible rotating speed (Oil) / min-1)	5200
A (Load / mm)	2
MASS (Mass / kg)	0.732