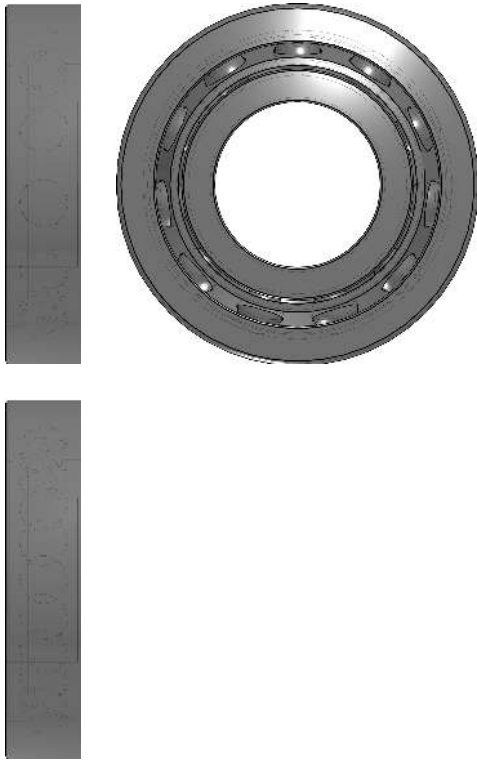




7322B

2D derivation



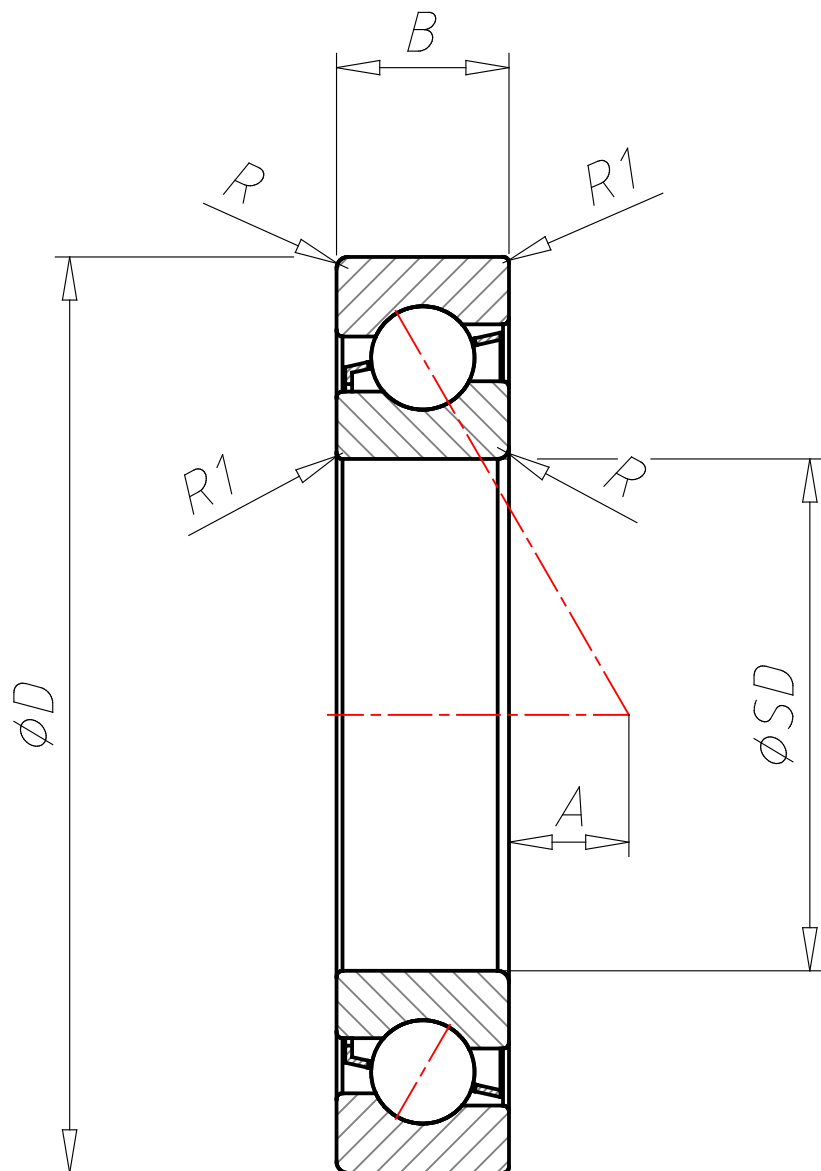
ISO View





7322B

Technical drawings





7322B

Technical Data

SD (Inner dia. / mm)	110
D (Outer dia. / mm)	240
B (Width / mm)	50
R (Chamfer (min.) / mm)	3
R1 (Chamfer (min.) / mm)	1.1
A (Load center / mm)	48.5
BN (Bearing No.)	7322B
CR (Basic dynamic load rating / N)	231000
COR (Basic static load rating / N)	227000
LSG (Permissible rotating speed (Grease) / min-1)	2200
LSO (Permissible rotating speed (Oil) / min-1)	3000
MASS (Mass / kg)	11