

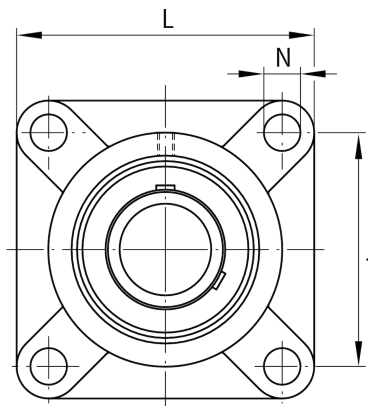
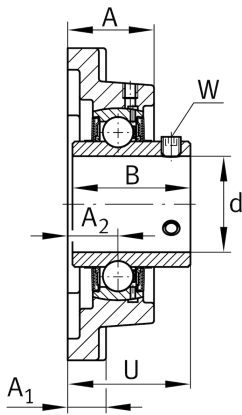
**FAG****UCF213**

Flanged housing unit

Schaeffler ID:
0812167260000

Flanged housing unit UCF

Technical information

**Main Dimensions & Performance Data**

d	65 mm	Bore diameter
L	187 mm	Flange width
U	69.7 mm	Total height unit
C_r	61,000 N	Basic dynamic load rating, radial
C_{0r}	40,000 N	Basic static load rating, radial
C_{ur}	2,090 N	Fatigue load limit, radial
	4.9 kg	Weight

Dimensions

A	50 mm	Height housing
A_1	20 mm	Thickness of flange
A_2	30 mm	Distance raceway
B	69.7 mm	Width
Q	M6	Connection thread lubrication

Mounting dimensions

J	149 mm	Distance fixing bore
N	19 mm	Fixing bore
N_1	149 mm	Distance fixing bore
n	4	Number of screwing holes

Additional information

	1	Number of housings
	F213	Housing
	UC213	Bearing designation