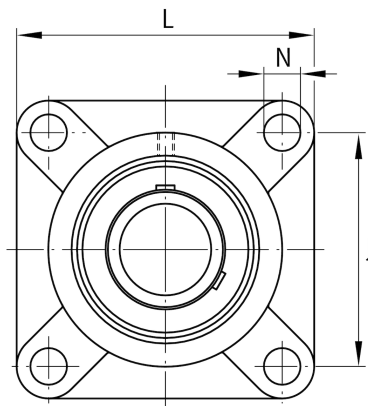
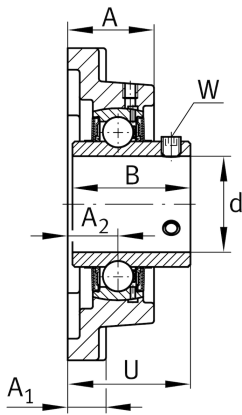
**FAG****UCF212**

Flanged housing unit

Schaeffler ID:  
0808222310000

Flanged housing unit UCF

## Technical information

**Main Dimensions & Performance Data**

d	60 mm	Bore diameter
L	175 mm	Flange width
U	68.7 mm	Total height unit
C <sub>r</sub>	52,000 N	Basic dynamic load rating, radial
C <sub>0r</sub>	36,000 N	Basic static load rating, radial
C <sub>ur</sub>	1,530 N	Fatigue load limit, radial
	4.394 kg	Weight

**Dimensions**

A	48 mm	Height housing
A <sub>1</sub>	20 mm	Thickness of flange
A <sub>2</sub>	29 mm	Distance raceway
B	68.7 mm	Width
Q	M6	Connection thread lubrication

**Mounting dimensions**

J	143 mm	Distance fixing bore
N	19 mm	Fixing bore
N <sub>1</sub>	143 mm	Distance fixing bore
n	4	Number of screwing holes

**Additional information**

1	Number of housings
F212	Housing
UC212	Bearing designation