

FAG

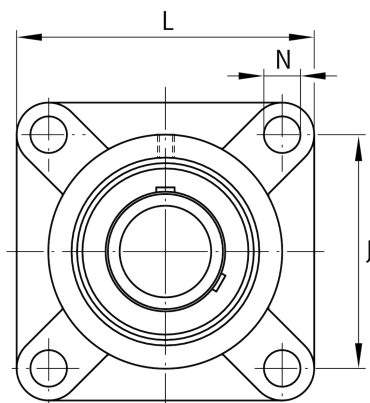
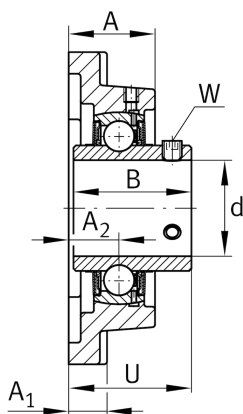
UCF209

Flanged housing unit

Schaeffler ID:
0808221260000

Flanged housing unit UCF

Technical information

**Main Dimensions & Performance Data**

d	45 mm	Bore diameter
L	137 mm	Flange width
U	52.2 mm	Total height unit
C_r	32,500 N	Basic dynamic load rating, radial
C_{0r}	20,400 N	Basic static load rating, radial
C_{ur}	870 N	Fatigue load limit, radial
	2.3 kg	Weight

Dimensions

A	38 mm	Height housing
A_1	18 mm	Thickness of flange
A_2	22 mm	Distance raceway
B	49.2 mm	Width
Q	M6	Connection thread lubrication

Mounting dimensions

J	105 mm	Distance fixing bore
N	16 mm	Fixing bore
N_1	105 mm	Distance fixing bore
n	4	Number of screwing holes

Additional information

1	Number of housings
F209	Housing
UC209	Bearing designation