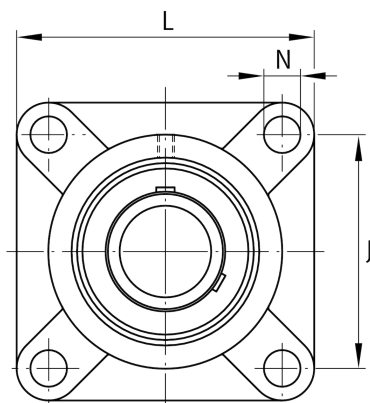
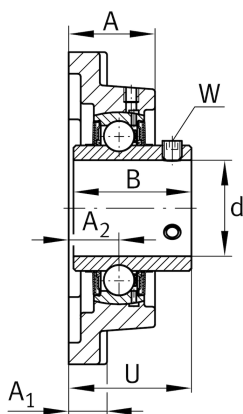
**FAG****UCF208**

Flanged housing unit

Schaeffler ID:  
0808219440000

Flanged housing unit UCF

## Technical information

**Main Dimensions & Performance Data**

d	40 mm	Bore diameter
L	130 mm	Flange width
U	51.2 mm	Total height unit
$C_r$	32,500 N	Basic dynamic load rating, radial
$C_{0r}$	19,800 N	Basic static load rating, radial
$C_{ur}$	1,030 N	Fatigue load limit, radial
	1.934 kg	Weight

**Dimensions**

A	36 mm	Height housing
$A_1$	16 mm	Thickness of flange
$A_2$	21 mm	Distance raceway
B	49.2 mm	Width
Q	M6	Connection thread lubrication

**Mounting dimensions**

J	102 mm	Distance fixing bore
N	16 mm	Fixing bore
$N_1$	102 mm	Distance fixing bore
n	4	Number of screwing holes

**Additional information**

1	Number of housings
F208	Housing
UC208	Bearing designation