



## Technical data

### UCT216

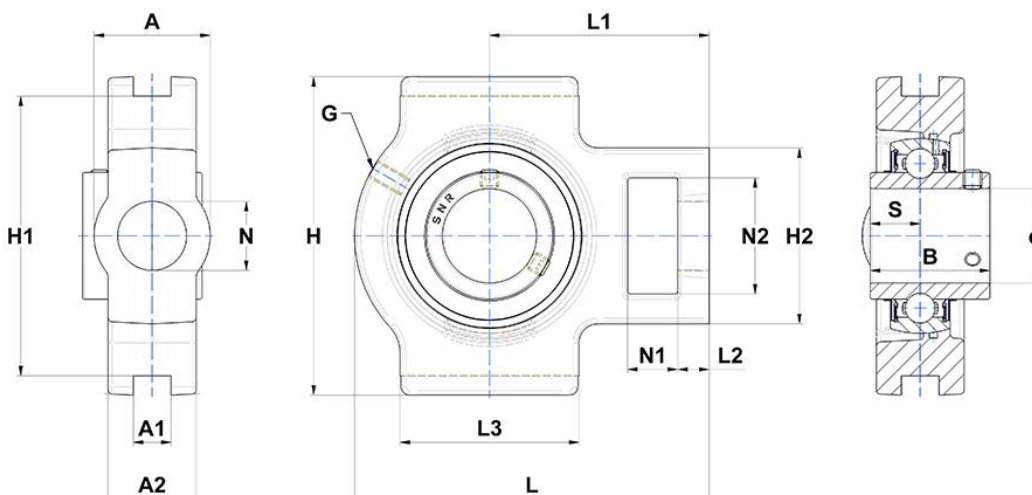
Bearing units

Grey cast housing, radial insert ball bearing with socket set screws, seal with slinger

#### KIT CONTENT

UC216G2, T216

#### VISUAL (S)



#### PRODUCT DIMENSIONS

|  |         |
|--|---------|
| Brand  | SNR     |
| Housing width (A)                                      | 70 mm   |
| Width of location slot (A1)                            | 26 mm   |
| Width over loc. slot flange(T/ST)/width at mount. hole | 51 mm   |
| Width of IR (B)  | 82,6 mm |
| Total height - frame + insert (A5)                     | 49,3 mm |
| Shaft dia (d)  | 80 mm   |
| Grease fitting (G)                                     | M10x1   |

### PRODUCT DIMENSIONS

|   |         |
|---|---------|
| Housing length, width or diameter (H)                       | 184 mm  |
| Distance between bottoms of location slots (H1)             | 165 mm  |
| Housing height / width (H2)                                 | 111 mm  |
| Housing length (L)  | 235 mm  |
| Distance from attachment end face to bearing                | 140 mm  |
| Thickness of attachment end (L2)                            | 21 mm   |
| Length of location slot (T/ST)/ guidance length (EHE) (L3)  | 121 mm  |
| Mounting hole dimension (N)                                 | 41 mm   |
| Length of attachment slot (N1)                              | 32 mm   |
| Height of attachment slot (N2)                              | 70 mm   |
| Dist. cent. of raceway to face IR on side opp. lock. device | 33,3 mm |
| Wrench size (SW)  | 6 mm    |

### PRODUCT PERFORMANCE

|                            |         |
|----------------------------|---------|
| Dynamic load rating (C)    | 72,5 kN |
| Static load rating (C0)    | 54,2 kN |
| Operating temperature min. | -20 °C  |
| Operating temperature max. | 100 °C  |

### OTHER FEATURES

|  |          |
|--|----------|
| Mass   | 8,19 kg  |
| Recommended tightening torque for set screw [Nm] | 33.0 N-m |